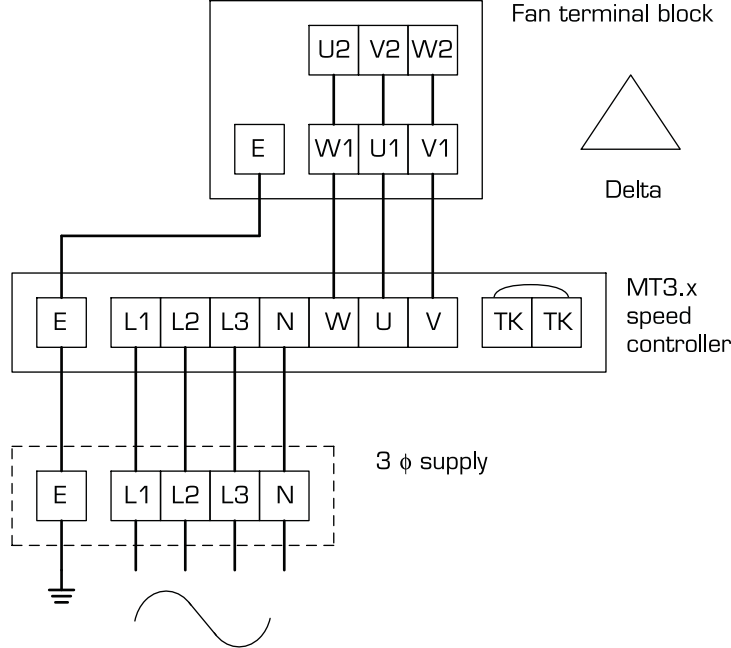


Fan terminal block

To starter

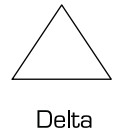
Connect as above for star/delta starting



Fan terminal block

MT3.x speed controller

3 ϕ supply



Note: Link TK, TK together if fan has no thermostat overheat protection available. If overheat protection is available link K terminals of the fan to TK's of speed controller.