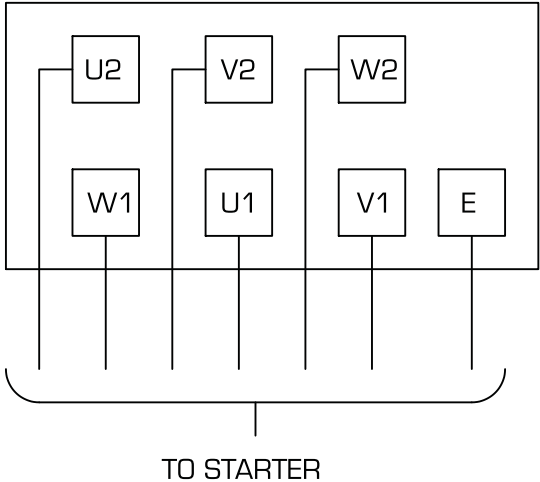
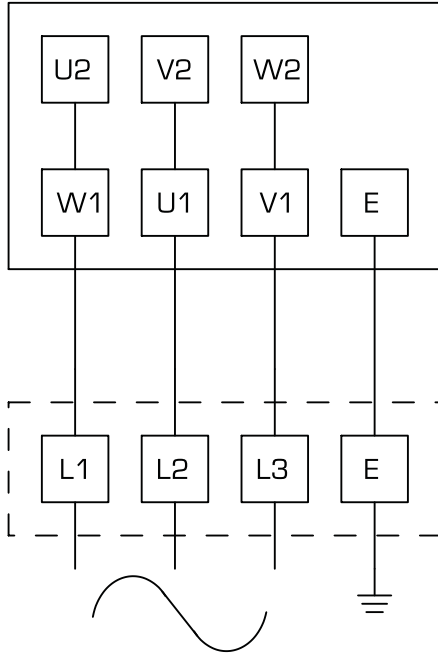


FAN TERMINAL BLOCK



CONNECT AS ABOVE FOR
STAR/DELTA STARTING

FAN TERMINAL BLOCK



CONNECT AS ABOVE FOR
DIRECT ONLINE

NOTE - FOR OTHER CIRCUITS IF FITTED
HH ANTI CONDENSATION HEATERS
KK OVERHEAT CUT OUT (MAX 2.5 AMPS)
SS THERMISTOR (OPERATING RESISTANCE 3KΩ)